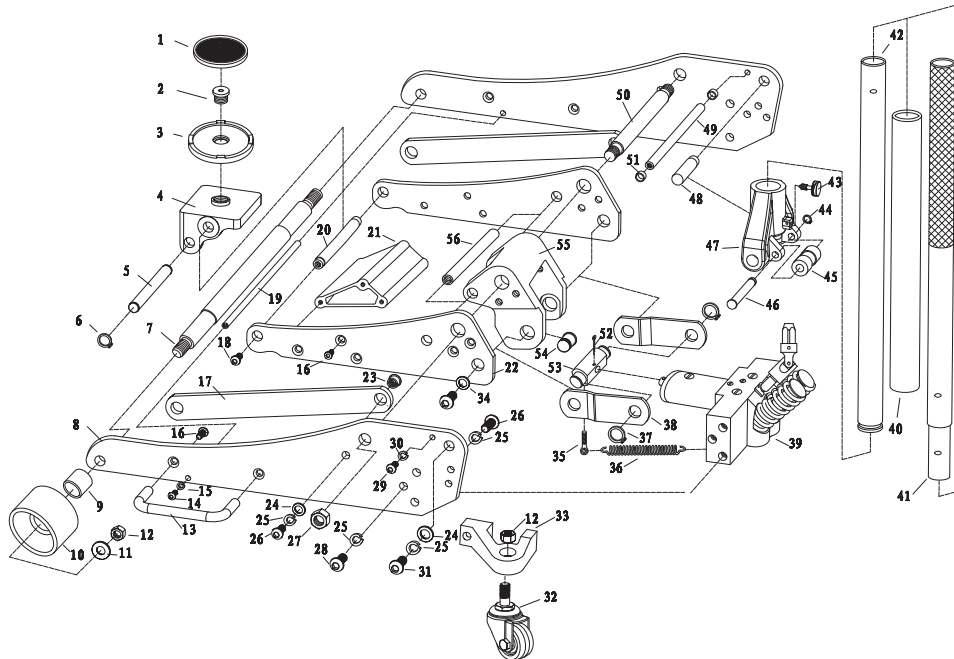


2 Ton Aluminum Racing Jack Parts List

PROD NO. 030412
MOD NO. 962AL



Ref.	Part Number	Description
1	PCN-962AL-01	Saddle
2	PCN-962AL-02	Saddle Set Screw
3	PCN-962AL-03	Saddle Metal Base
9	PCN-962AL-09	Wheel Bushing
10	PCN-962AL-10	Front Wheel with #11, #12
32	PCN-962AL-32	Rear Caster with #12
33	PCN-962AL-33	Rear Caster Base
36	PCN-962AL-36	Spring
39	PCN-962AL-39	Power Unit
40	PCN-962AL-40	Handle Bumper
41A	PCN-962AL-41	Handle Assembly with #42, #41
43	PCN-962AL-43	Set Screw
47	PCN-962AL-47	Handle Socket Assembly with #43, #44, #45, #46
53	PCN-962AL-53	Hydraulic Adaptor with 52

Repair Kits

PCN-962AL-HPK High Pressure Pump Kit

HPK Kit Contains: #14, 42, 15, 16, 17, 18 x 2, 19 x 2, 20, 21, 22

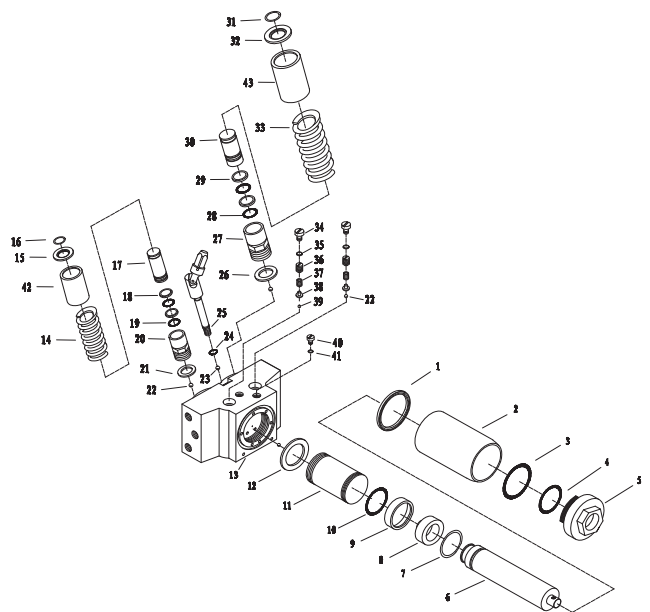
PCN-962AL-LPK Low Pressure Pump Kit

LPK Kit Contains: #22, 26, 27, 28 x 2, 29 x 2, 30, 33, 43, 31, 32

PCN-962AL-PRK Power Unit Repair Kit

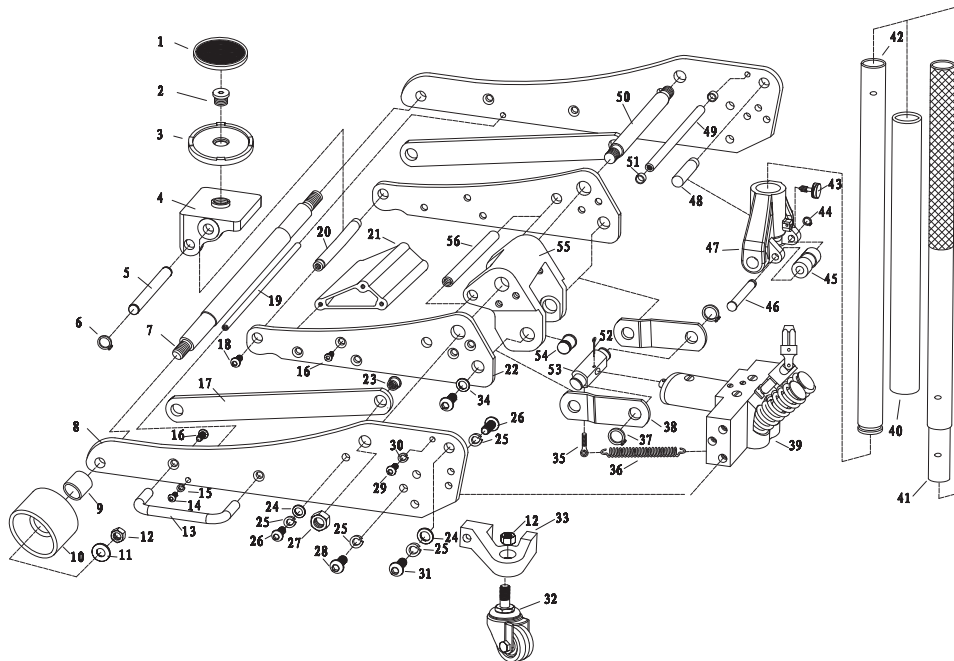
PRK Kit Contains: #1, 3, 4, 7, 9, 10, 12, 15, 16, 18, 19, 21, 22, 23, 24, 26, 28, 29, 31, 32, 34, 35, 36, 37, 38, 39, 40, 41

PCN-962AL-H25 U-Joint Assembly with 24



Cric de course de 2 tonnes en aluminium - Liste des pièces

N° du prod. 030412
N° du mod. 962AL



Réf. Numéro de pièce Description

1	PCN-962AL-01	Selle
2	PCN-962AL-02	Vis de la selle
3	PCN-962AL-03	Base métallique de la selle
9	PCN-962AL-09	Coussinet de la roue
10	PCN-962AL-10	Roue avant avec n°11 et n°12
32	PCN-962AL-32	Roulette arrière avec n°12
33	PCN-962AL-33	Base de la roulette arrière
36	PCN-962AL-36	Ressort
39	PCN-962AL-39	Unité d'alimentation
40	PCN-962AL-40	Manchon de protection du levier
41A	PCN-962AL-41	Ensemble du levier avec n°42 et n°41
43	PCN-962AL-43	Vis de blocage
47	PCN-962AL-47	Ensemble de la douille de connexion du levier avec n°43, n°44, n°45 et n°46
53	PCN-962AL-53	Adaptateur hydraulique avec n°52

Trousse de réparation

Kit pompe haute pression PCN-962AL-HPK

Le kit pompe haute pression contient : n°14, 42, 15, 16, 17, 18 x 2, 19 x 2, 20, 21, 22

Le kit pompe basse pression PCN-962AL-LPK

Contient : n°22, 26, 27, 28 x 2, 29 x 2, 30, 33, 43, 31, 32

Trousse de réparation pour unité d'alimentation PCN-962AL-PRK

Contenant : n°1, 3, 4, 7, 9, 10, 12, 15, 16, 18, 19, 21, 22, 23, 24, 26, 28, 29, 31, 32, 34, 35, 36, 37, 38, 39, 40, 41

Ensemble joint universel PCN-962AL-H25 avec n°24

